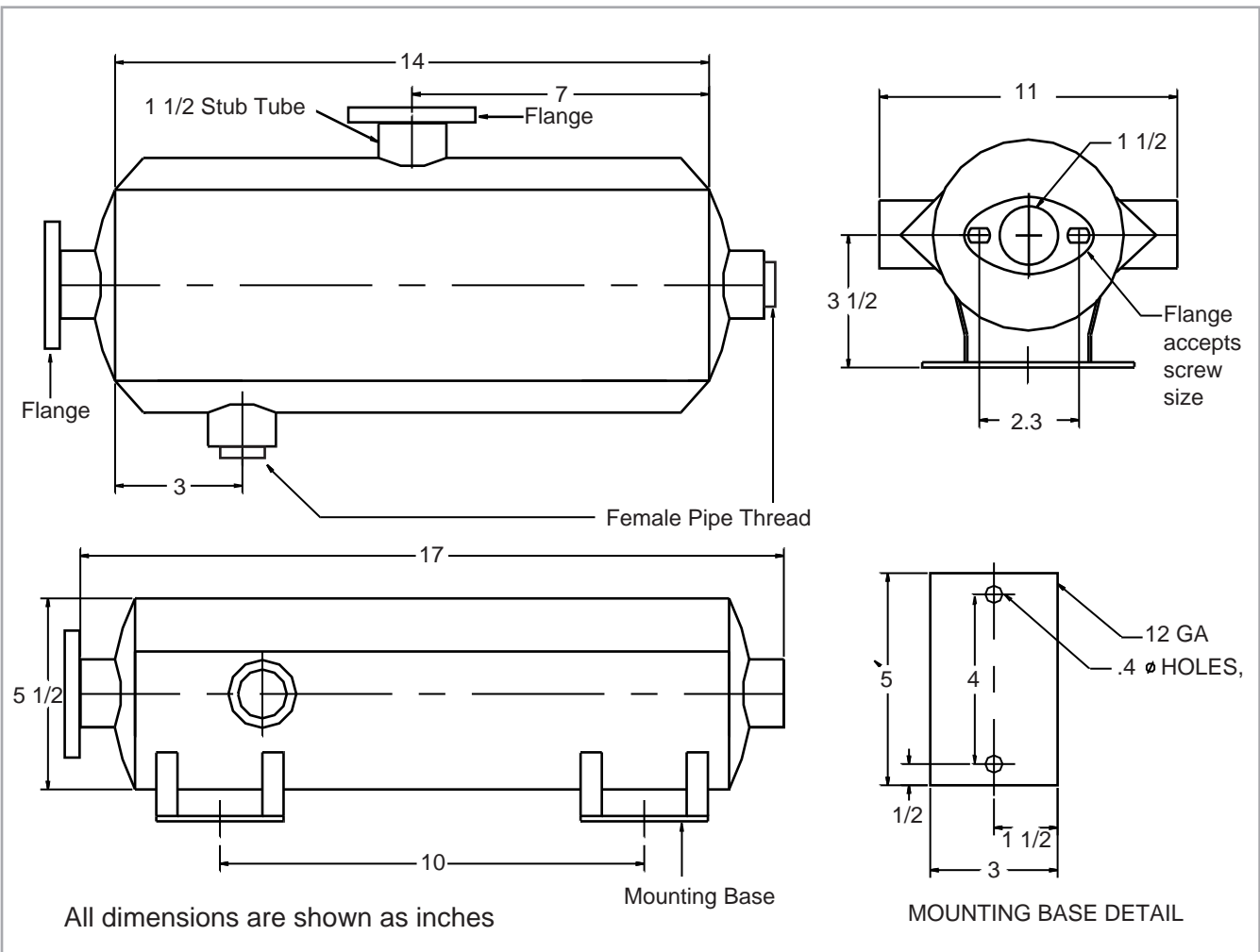




Heat Exchanger

Model 30 is ideal for 10 to 30 Hp engines
 or 5 to 20 kW generators
 Weight : 27 lbs.
 Water inlet and outlet fittings are 1" NPT Female
 Accepts exhaust pipe of 1" to 1.5".
 Flange kits available.

MSRP: \$895.00



Polar Heat Exchanger Model 30 (Prices valid till Dec. 31, 2005)

22520 Avalon Blvd., Carson, CA 90745, Tel: (310) 830-953, Fax: (310) 830-9825, www.polarpowerinc.com